



ROOF DECK & OVERLAY SOLUTIONS

SLAB & PEDESTAL APPLICATIONS

BLU GRANDE

slab

slab 60mm slate champlain grey



	SLATE	SMOOTH	POLISHED	GALAXY
BEIGE CREAM				
GREYED NICKEL				
ONYX BLACK				
CHESTNUT BROWN				
SHALE GREY				
CHAMPLAIN GREY				
SANDLEWOOD				
MOJAVE BEIGE				
HARVEST GOLD				



For an authentic look, each color option is composed of a variety of darker & lighter tones. Natural ingredients are present within the recipe to allow for a range in tones, veining and textures from one stone to another. Color samples for reference only. Actual product colors may vary.

SOLAR REFLECTANCE

High SRI surfaces can help reduce the urban heat island that causes cities to stay warmer. Therefore, they contribute to reduced energy consumption and pollution.

COLOUR	SOLAR REFLECTANCE	SOLAR REFLECTANCE INDEX (SRI)
Beige cream	0.30	32
Champlain grey	0.23	25
Chestnut brown	0.23	25
Greyed nickel	0.32	35
Harvest gold	0.18	18
Mojave beige	0.26	29
Sandlewood	0.21	23
Shale grey	0.24	26

TECHNICAL SPECIFICATIONS



SPECS	IMPERIAL	METRIC
Dimensions	2 3/8" x 19 1/2" x 32 1/2" in*	60 x 495 x 825 mm*
Area per unit	4.4 ft ² /unit	0.408 m ² /unit
Weight per unit	118.8 lb/unit	53.9 kg/unit
Weight per area	27.0 lb/ft ²	132 kg/m ²

*Blu polished slab is 58 mm - 2 3/8" thick

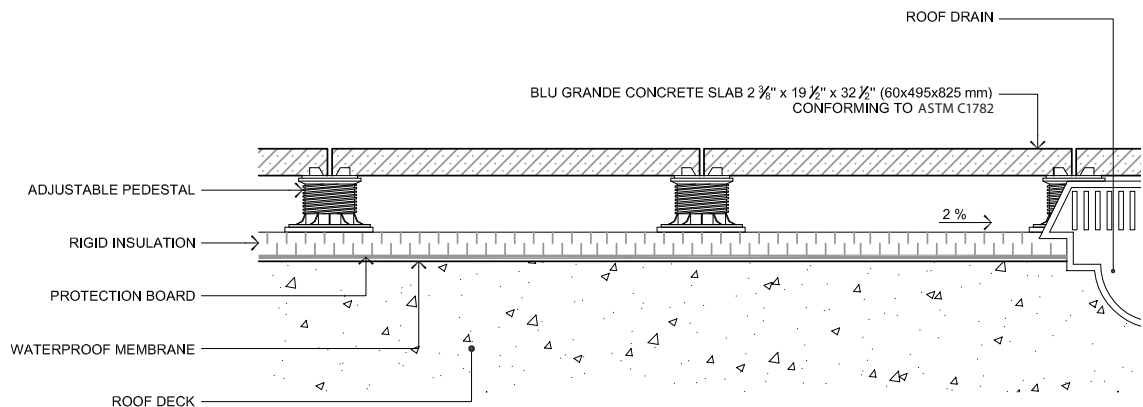


PHYSICAL PROPERTIES	ASTM C1782
Modulus of rupture	725 psi (5 MPa)
Resistance to freezing and thawing	
Loss of mass after 28 cycles	225 g/m ²
Loss of mass after 49 cycles	500 g/m ²
Dimensional tolerance	
Units up to and including 24 in. [610 mm]	Length & Width: -0.04 in. [1 mm] to +0.08 [2 mm]
	Thickness: ± 0.12 in. [3 mm]
Units over 24 in. [610 mm]	Length & Width: -0.06 in. [1.5 mm] to +0.12 [3 mm]
	Thickness: ± 0.12 in. [3 mm]
Warpage	
± 0.08 in. [2 mm] Dimension of 17.75 in. [450 mm] and less	
± 0.12 in. [3 mm] Dimension over 17.75 in. [450 mm]	

LOAD CAPACITY OF SLAB ON PEDESTAL SET¹

Allowable load (safety factor of 2)	776 lb (352 kg)
Failure load	1553 lb (704 kg)

1-Maximum load applied in the center of the slab when supported by pedestals at each corner.



INDUSTRIA

slab

greyed nickel / accessories: jardindeville.com



	SMOOTH	POLISHED	GRANITEX
BEIGE CREAM			
GREYED NICKEL			
ONYX BLACK			
SHALE GREY			
CHESTNUT BROWN			

In stock: Greyed Nickel, Beige Cream & Onyx Black
On order: Shale Grey & Chestnut Brown
A minimum pre-order of 2 500 ft² is required on order items.



For an authentic look, each color option is composed of a variety of darker & lighter tones. Natural ingredients are present within the recipe to allow for a range in tones, veining and textures from one stone to another. Color samples for reference only. Actual product colors may vary.

SOLAR REFLECTANCE

High SRI surfaces can help reduce the urban heat island that causes cities to stay warmer. Therefore, they contribute to reduced energy consumption and pollution.

COLOUR	SOLAR REFLECTANCE	SOLAR REFLECTANCE INDEX (SRI)
Grey	0.30	34
Greyed Nickel	0.32	35
Beige Cream	0.30	32

TECHNICAL SPECIFICATIONS



SPECS	IMPERIAL	METRIC
Dimensions	2 3/8" x 23 5/8" x 23 5/8" in*	60 x 600 x 600 mm*
Area per unit	3.88 ft ² /unit	0.36 m ² /unit
Weight per unit	108.4 lb/unit	49.2 kg/unit
Weight per area	28.0 lb/ft ²	136.7 kg/m ²

*Industria slabs polished are 58 mm - 2 3/16" in thick.

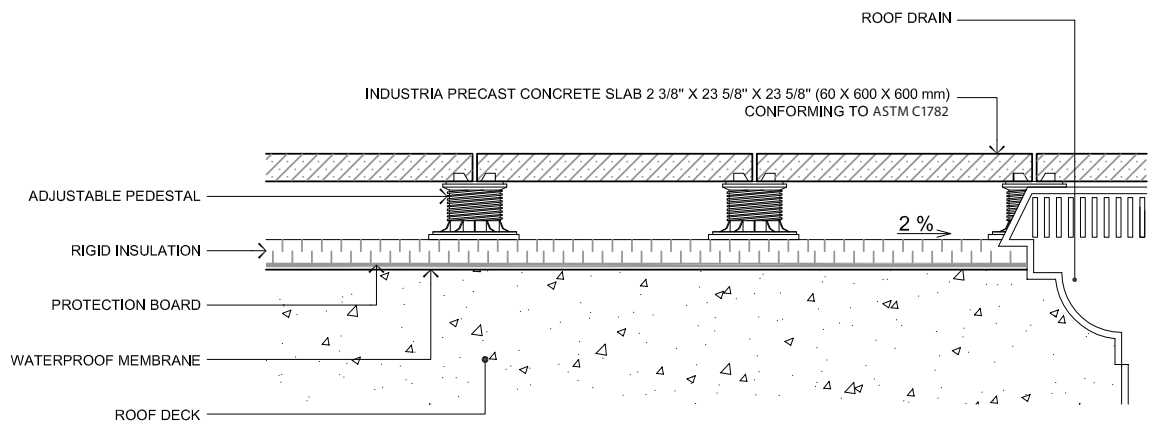


PHYSICAL PROPERTIES	ASTM C1782
Modulus of rupture	725 psi (5 MPa)
Resistance to freezing and thawing	
Loss of mass after 28 cycles	225 g/m ²
Loss of mass after 49 cycles	500 g/m ²
Dimensional tolerance	
Units up to and including 24 in. [610 mm]	Length & Width: -0.04 in. [1 mm] to +0.08 [2 mm]
	Thickness: ± 0.12 in. [3 mm]
Units over 24 in. [610 mm]	Length & Width: -0.06 in. [1.5 mm] to +0.12 [3 mm]
	Thickness: ± 0.12 in. [3 mm]
Warpage	
± 0.08 in. [2 mm] Dimension of 17.75 in. [450 mm] and less	
± 0.12 in. [3 mm] Dimension over 17.75 in. [450 mm]	

LOAD CAPACITY OF SLAB ON PEDESTAL SET¹

Allowable load (safety factor of 2)	1441 lb (653 kg)
Failure load	2881 lb (1307 kg)

1-Maximum load applied in the center of the slab when supported by pedestals at each corner.



OCEAN GRANDE

NEW

slab

HIGH DEFINITION
COLLECTION



greyed nickel / furniture: jardin de ville

BEIGE CREAM



GREYED NICKEL



For an authentic look, each color option is composed of a variety of darker & lighter tones. Natural ingredients are present within the recipe to allow for a range in tones, veining and textures from one stone to another. Color samples for reference only. Actual product colors may vary.

SOLAR REFLECTANCE

High SRI surfaces can help reduce the urban heat island that causes cities to stay warmer. Therefore, they contribute to reduced energy consumption and pollution.

COLOUR	SOLAR REFLECTANCE	SOLAR REFLECTANCE INDEX (SRI)
Beige cream	0.30	32
Greyed nickel	0.32	35

TECHNICAL SPECIFICATIONS



SPECS	IMPERIAL	METRIC
Dimensions	2 3/8" x 19 1/2" x 32 1/2" in	60 x 495 x 825 mm
Area per unit	4.4 ft ² /unit	0.408 m ² /unit
Weight per unit	118.8 lb/unit	53.9 kg/unit
Weight per area	27 lb/ft ²	132 kg/m ²

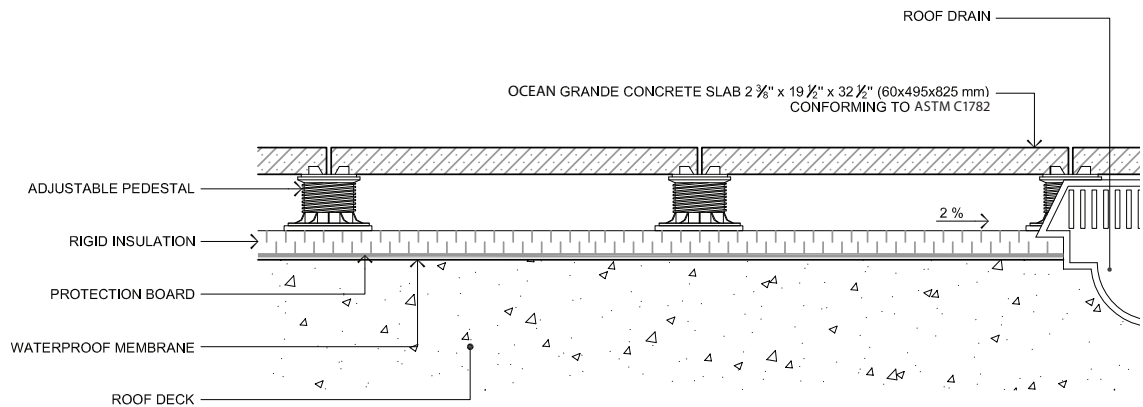


PHYSICAL PROPERTIES	ASTM C1782
Modulus of rupture	725 psi (5 MPa)
Resistance to freezing and thawing	
Loss of mass after 28 cycles	225 g/m ²
Loss of mass after 49 cycles	500 g/m ²
Dimensional tolerance	
Units up to and including 24 in. [610 mm]	Length & Width: -0.04 in. [1 mm] to +0.08 [2 mm]
	Thickness: ± 0.12 in. [3 mm]
Units over 24 in. [610 mm]	Length & Width: -0.06 in. [1.5 mm] to +0.12 [3 mm]
	Thickness: ± 0.12 in. [3 mm]
Warpage	
± 0.08 in. [2 mm] Dimension of 17.75 in. [450 mm] and less	
± 0.12 in. [3 mm] Dimension over 17.75 in. [450 mm]	

LOAD CAPACITY OF SLAB ON PEDESTAL SET¹

Allowable load (safety factor of 2)	coming soon
Failure load	coming soon

1-Maximum load applied in the center of the slab when supported by pedestals at each corner.



PORCELAIN OUTDOOR TILES

LASTRA 20mm

MADE IN ITALY



Summary of LEED® criterion for credits on heat island reduction applicable to paving products for non-roof and parking cover applications (minimum values):

			INITIAL	3-YEAR AGED
NON-ROOF APPLICATIONS	LEED 2009	Solar Reflectance Index (SRI)	29	-
	LEED v4	Solar reflectance	0.33	0.28
PARKING COVER APPLICATIONS	LEED 2009	Solar Reflectance Index (SRI)	29	-
	LEED v4	Solar Reflectance Index (SRI)	39	32

Solar reflectance and SRI values for Techo-Bloc landscaping products, as tested by independent testing laboratory:

COLOR	BLOCK Bianco	BLOCK Beige	BLOCK Grigio	SEASTONE Gray	SUNROCK Bourgogne Sand	TRUST Silver	TRUST Titanium	TRUST Gold
SWATCHES								
SOLAR REFLECTANCE INDEX (SRI)	65-70	35-40	35-40	30-35	50-55	40-45	20-25	60-65

THE STRENGTH OF 3/4" INCHES



The 24"x24", 3/4" thick, monocaliber and rectified porcelain slabs, have been designed for those looking for the perfect balance between technical functionality and aesthetic pleasing exterior landscaping finishes.

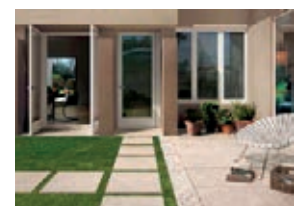
The excellent performance in terms of strength, resistance, reliability and safety are directly related to the higher density of the porcelain body and to the anti-slip surface finish, combined with the perfect look of Atlas Concorde porcelain stoneware and its ease of installation.

THE ADVANTAGES OF LASTRA 20mm



- HIGH BREAKAGE LOAD (more than 2,200 lbs per slab);
- HIGH BREAKING STRENGTH (more than 9,000 psi) AND COMPRESSIVE STRENGTH (more than 42,000 psi)
- NONABSORBENT (<math><0,1\%</math> - COMPLIANT WITH ASTM C373);
- EXCELLENT ANTI-SLIP FEATURES (DCOF > 0.42, SCOF > 0.6 DRY&WET);
- FROST-PROOF AND RESISTANT TO THERMAL SHOCK (COMPLIANT WITH ASTM C684);
- RESISTANT TO SALTS, MOULD AND PESTICIDES;

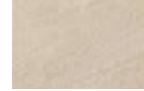
- EASY TO INSTALL
- IT ALLOWS FOR A CONTINUOUS TRANSITION FROM INDOOR TO OUTDOOR SPACES;
- EASY TO CLEAN EVEN WITH PRESSURE WASHER MACHINES;





BLOCK 600 x 600

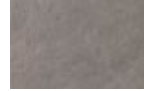
SPECS	IMPERIAL	METRIC
Actual size	$\frac{3}{4} \times 23 \frac{3}{16} \times 23 \frac{3}{16}$ in	20 × 595 × 595 mm
Coverage: box/pallet	7.75 / 232.5 ft ²	0.72 / 21.6 m ²
Weight: box/pallet	72.75 / 2183 lbs	33 / 990 kg
Units: box/pallet	2/60	2/60



BIANCO



BEIGE



GRIGIO



TONE
DISTRIBUTION
MEDIUM



SEASTONE 600 x 600

SPECS	IMPERIAL	METRIC
Actual size	$\frac{3}{4} \times 23 \frac{3}{16} \times 23 \frac{3}{16}$ in	20 × 595 × 595 mm
Coverage: box/pallet	7.75 / 232.5 ft ²	0.72 / 21.6 m ²
Weight: box/pallet	72.75 / 2183 lbs	33 / 990 kg
Units: box/pallet	2/60	2/60



GREY



TONE
DISTRIBUTION
MEDIUM



SUNROCK 600 x 600

SPECS	IMPERIAL	METRIC
Actual size	$\frac{3}{4} \times 23 \frac{3}{16} \times 23 \frac{3}{16}$ in	20 × 595 × 595 mm
Coverage: box/pallet	7.75 / 232.5 ft ²	0.72 / 21.6 m ²
Weight: box/pallet	72.75 / 2183 lbs	33 / 990 kg
Units: box/pallet	2/60	2/60



BOURGOGNE SAND

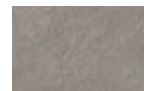


TONE
DISTRIBUTION
HIGH



TRUST 600 x 600

SPECS	IMPERIAL	METRIC
Actual size	$\frac{3}{4} \times 23 \frac{3}{16} \times 23 \frac{3}{16}$ in	20 × 595 × 595 mm
Coverage: box/pallet	7.75 / 232.5 ft ²	0.72 / 21.6 m ²
Weight: box/pallet	72.75 / 2183 lbs	33 / 990 kg
Units: box/pallet	2/60	2/60



SILVER



TITANIUM



GOLD



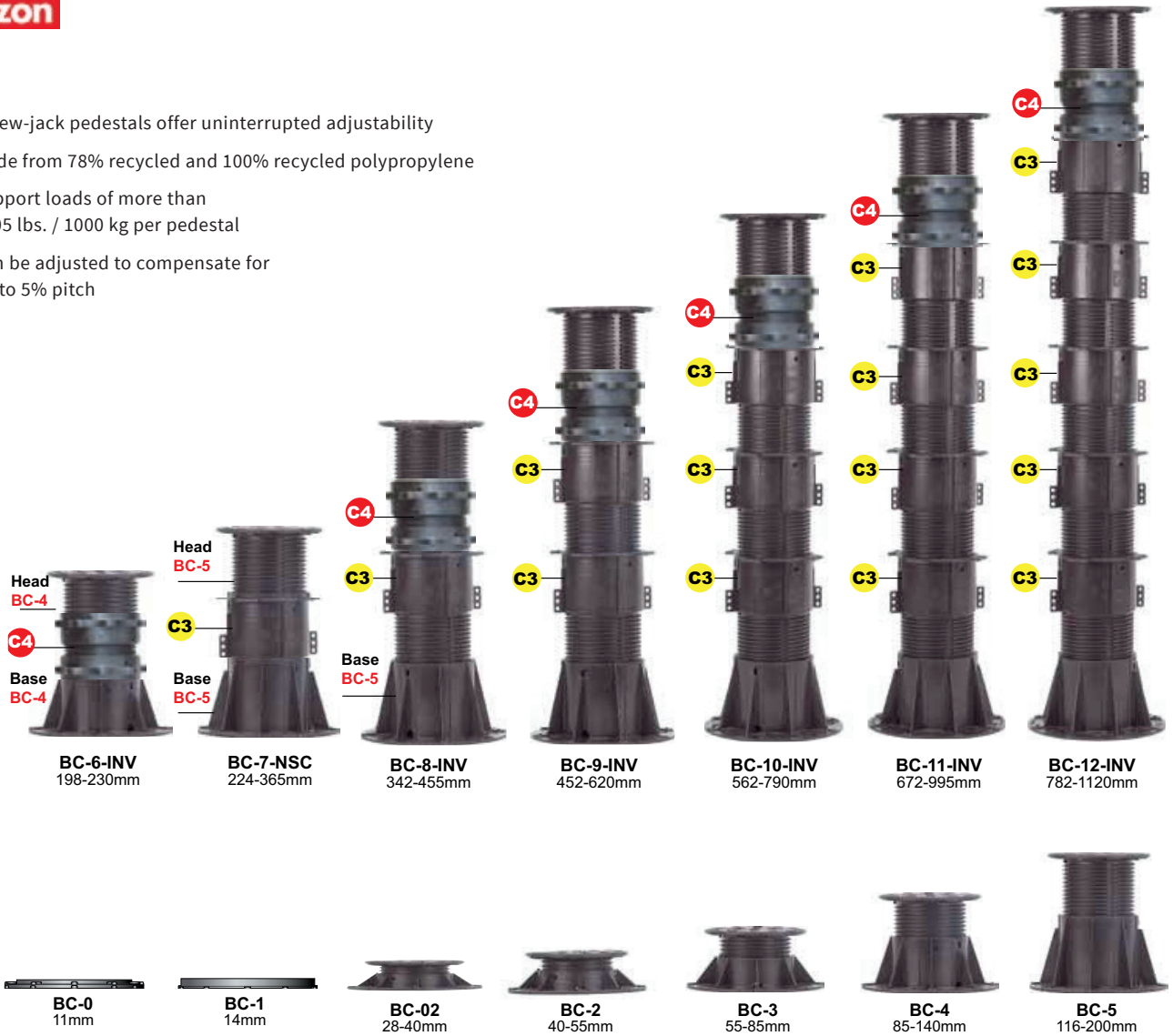
TONE
DISTRIBUTION
HIGH

ADJUSTABLE HEIGHT PEDESTALS

Buzon BC Series



- Screw-jack pedestals offer uninterrupted adjustability
- Made from 78% recycled and 100% recycled polypropylene
- Support loads of more than 2205 lbs. / 1000 kg per pedestal
- Can be adjusted to compensate for up to 5% pitch



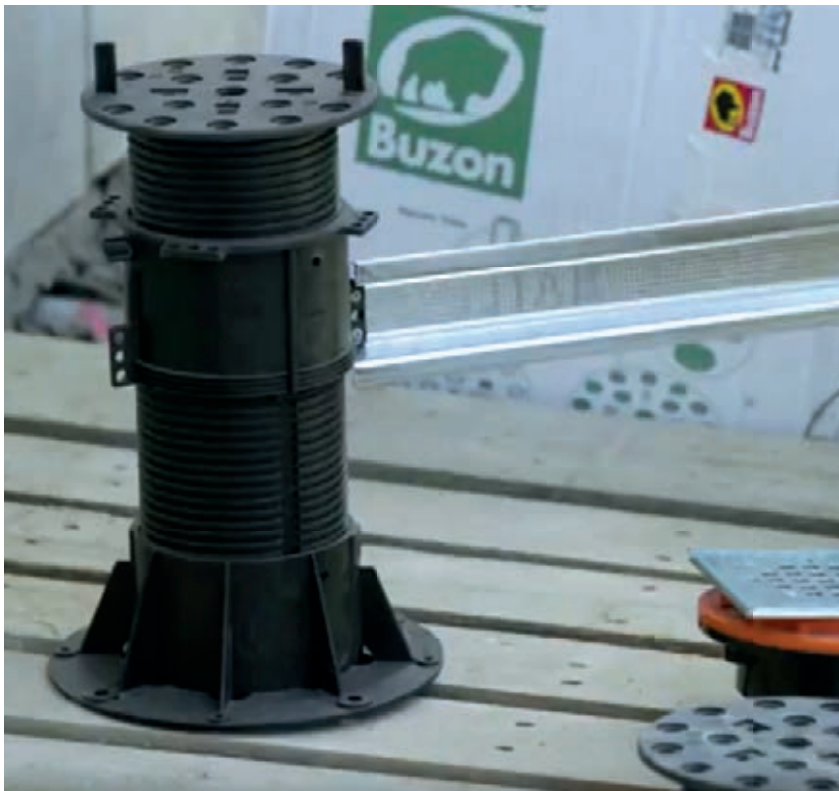
ACCESSORIES



PEDESTALS ARE FOR MORE THAN JUST ROOF DECKS...

TECHO-BLOC'S ROOF DECK APPROVED SLAB COLLECTION OFFERS 32 UNIQUE COMBINATIONS OF SHAPES, SIZES, TEXTURES & COLORS.

With the ability to elevate a paving surface, compensate for subsurface slopes and to hide existing or future utilities, adjustable pedestal systems are for more than just roof deck applications. Consider substituting for aggregate backfill in raised patio situations, or replacing a wood deck with concrete paving slabs supported by pedestals.



To watch a creative use of the Buzon BC-Series of pedestals in a residential landscape project, check out:

[YOUTUBE.COM/TECHOBLOC](https://www.youtube.com/techobloc)

Search for keyword "Pedestal"

LEGEND



USA

PENNSYLVANIA

852 W. Pennsylvania Avenue,
Pen Argyl, PA 18072

PENNSYLVANIA

23 Quarry Road, Douglassville, PA 19518

MASSACHUSETTS

70 East Brookfield Rd., North Brookfield, MA
01535

NORTH CAROLINA

5135 Surret Drive, Archdale, NC 27263

OHIO

97 Industrial Street,
Rittman, OH 44270

ILLINOIS

3401, 85th Avenue West,
Rock Island, IL 61201

ILLINOIS

24312 W. Riverside Dr,
Channahon, IL 60410

INDIANA

2397 County Road 27,
Waterloo, IN 46793

CANADA

MONTREAL

5255 Albert-Millichamp street,
Saint-Hubert, QC J3Y 8Z8

OTTAWA

6310 Hazeldean Road - P.O. Box 1791,
Stittsville, ON K2S 1B4

TORONTO

10 Freshway Drive, Vaughan, ON L4K 1S3

TORONTO

1050 Industrial Road, Ayr, ON N0B 1E0

- **DE-ICING SALT RESISTANT**
- **STRENGTH & DURABILITY**
- **TRANSFERABLE LIFETIME WARRANTY**
- **COLOR THROUGH & THROUGH**

TOLL FREE:

1.877.832.4625

WWW.TECHO-BLOC.COM



PROUD MEMBER OF

